

Contact Us: *FACTORY UTV LLC*

9237 Beatty Drive Sacramento, CA 95826

Phone : (916) 383-2730

E-mail : info@factoryutv.net

Go online: www.Factoryutv.net



U.H.M.W. Skid Plate / Under Armor Package

Ultra. High. Molecular. Weight. polyethylene all terrain skid plate / under armor kit for UTV's

Installation Guide (Ultimate Package)

Polaris

Ranger 150 (2018+)



Polaris Ranger 150 (2018+) Instructions

#1

Front Skid Plate :

Install: (1x) 1/4"-20 x 3/4" Flange Bolt and (1x) Counter sunk washer,
with (1x) 3/8" large Zinc Washer and (1x) 1/4"-20 Ny-Lock Nut, fastened behind chassis frame *in Front Skid: (C) location.*

Install: (1x) 1/4"-20 x 2 1/4" Hex Bolt and (1x) Counter sunk washer
with (1x) 1-1/2" Nylon Spacer, (1x) 1/4" Gold Washer, and (1x) 1/4"-20 Ny-Lock Nut *in Diff. Skid: (B.S1) location.*

#2

Main Skid Plate :

Align edge with front skid plate and along sides of utv, may need the use of *vice clamps or car jack to aid during install.

Using main skid plate as a template, mark the center of (A) locations, drill ²⁵/₆₄th holes in to chassis for nutserts.

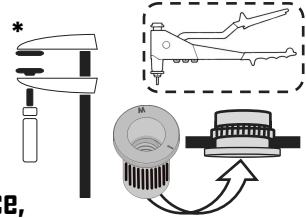
For the remaining four rear (A.n) locations; mark, drill ⁹/₃₂nd holes in to chassis for use with bolts and ny-lock nuts.

Install: (6x) 1/4"-20 Nutserts *in: (A) locations. You will need the use of a nutsert tool to install nutserts:*

Ensure all Nutserts are fastened securely and crimped flush before installing skid plate bolts.

Install main skid plate with: (6x) 1/4"-20 x 3/4" Flange Bolts and (6x) Counter sunk washers *in (A) locations.*

Install (4x) 1/4"-20 x 3/4" Flange Bolts, (4x) Gold washers with
(4x) Counter sunk washers and (4x) Ny-lock nuts *in rear (A.n) locations.*



#3

Swingarm Guard :

(Remove stock chain guard) May need the use of *vice clamps to hold in place,

Check for clearance before drilling in (F) locations. Using stock drain holes as a guide, drill a ⁹/₃₂" hole through frame.

Install: (2x) 1/4"-20 x 2 1/2" Counter Sunk Bolts, (1x) 1/4" Gold Washer, (1x) 1/4"-20 Ny-Lock Nut *in : (F) locations.*

Install: (1x) 1/4"-20 x 1 1/4" Counter sunk bolt using *D1 clamp* and *D2 clamp* - "D" clamps over tubing with
(1x) 1/4" Gold Washers and (1x) 1/4"-20 Ny-Lock Nut *in each Swingarm guard: (C.D1 and C.D2) locations.*

Install: (1x) 1/4"-20 x 1 1/2" Counter Sunk Bolt, (1x) 1/2" Nylon spacer, with
(1x) 1/4" Gold Washer, and (1x) 1/4"-20 Ny-Lock Nut *in Swingarm guard: (E.1/2) locations.*



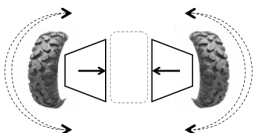
Fasten bolts until flush
DO NOT over tighten

Ensure all bolts are fastened securely when complete, do not over tighten.

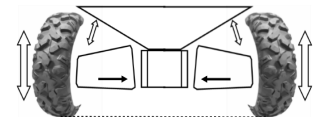
A:1

A-Arm Guards

Install : (1x) 1 x 1 "D" clamp over A-Arm tubing w/ (1x) 1/4"-20 x 1 1/4" Counter Sunk Bolt,
(1x) 1/4" Gold Washer, and (1x) 1/4"-20 Ny-Lock Nut *in each A-Arm guard: (D.1) location.*



*** Ensure Clearance For Turn Radius & Vertical Travel
Before Fastening ALL Bolts Securely**



. Drilling Instructions : *

Use a : 25/64th drill bit for 1/4 x 20 Nutsert installation

Use of a Nutsert tool is required. *Keep tool level with surface until bottom of nutsert crimps securely.*

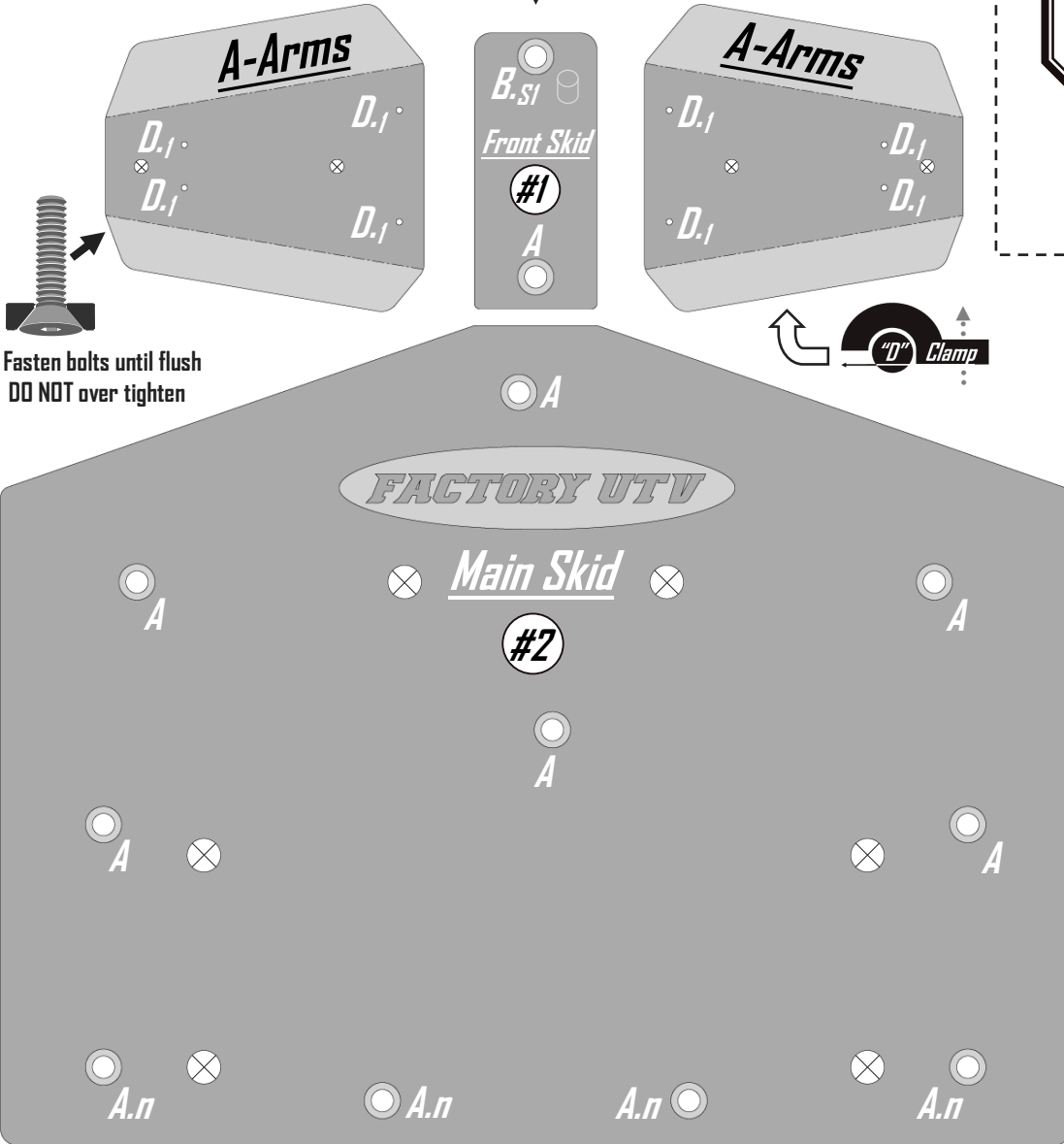
Use a : 9/32nd drill bit for 1/4 x 20 Nut and bolt installation

Finger Thread All Bolts Prior To Fastening Securely With Power Tools. Do not over tighten

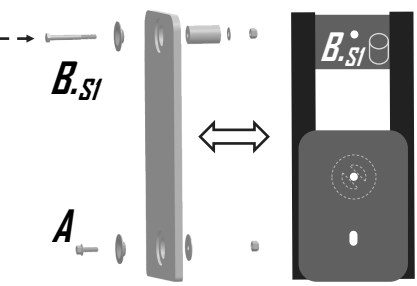
Polaris Ranger 150 (2018+)

Remove stock chain guard.
See drilling instructions.
Ensure bolts are Secure when complete

Install nylon spacers in-between skid and chassis frame

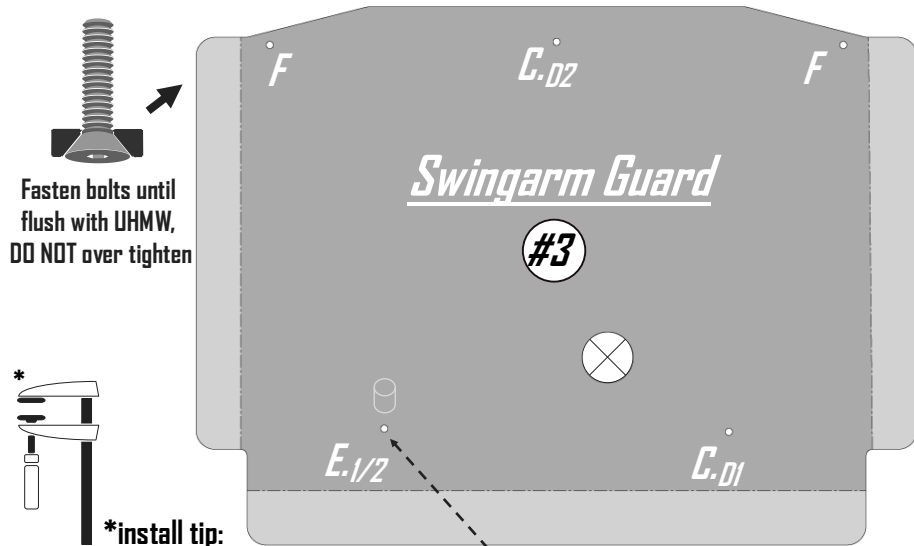
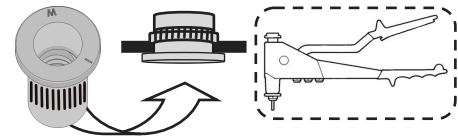


Fasten bolts until flush
DO NOT over tighten



Align all sides for reference before marking drill locations.

Use of Nutsert tool is required to crimp Nutserts to chassis frame.

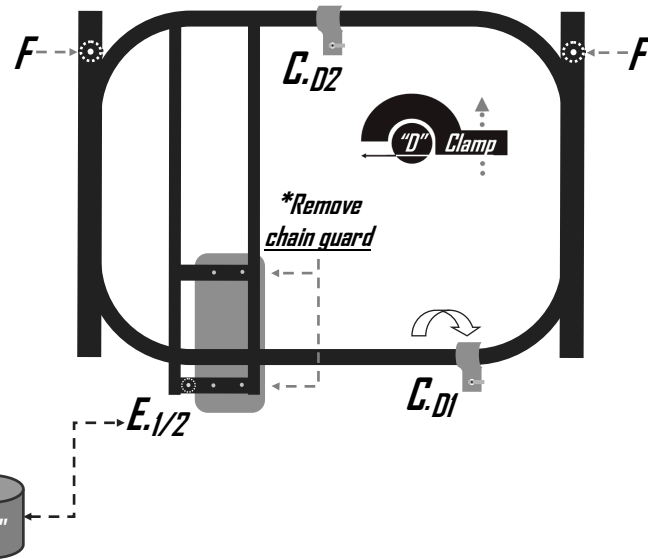


Fasten bolts until flush with UHMW,
DO NOT over tighten

*install tip:
Vice style clamps recommended to keep skid in place during install.

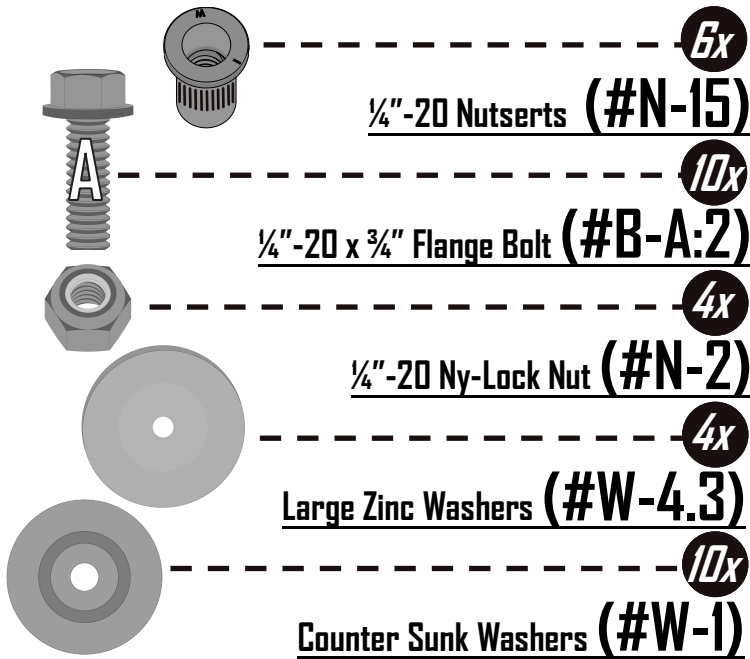
⊗ = Drainage Holes
Do Not Use For Mounting

Install nylon spacer in-between frame and swing arm guard

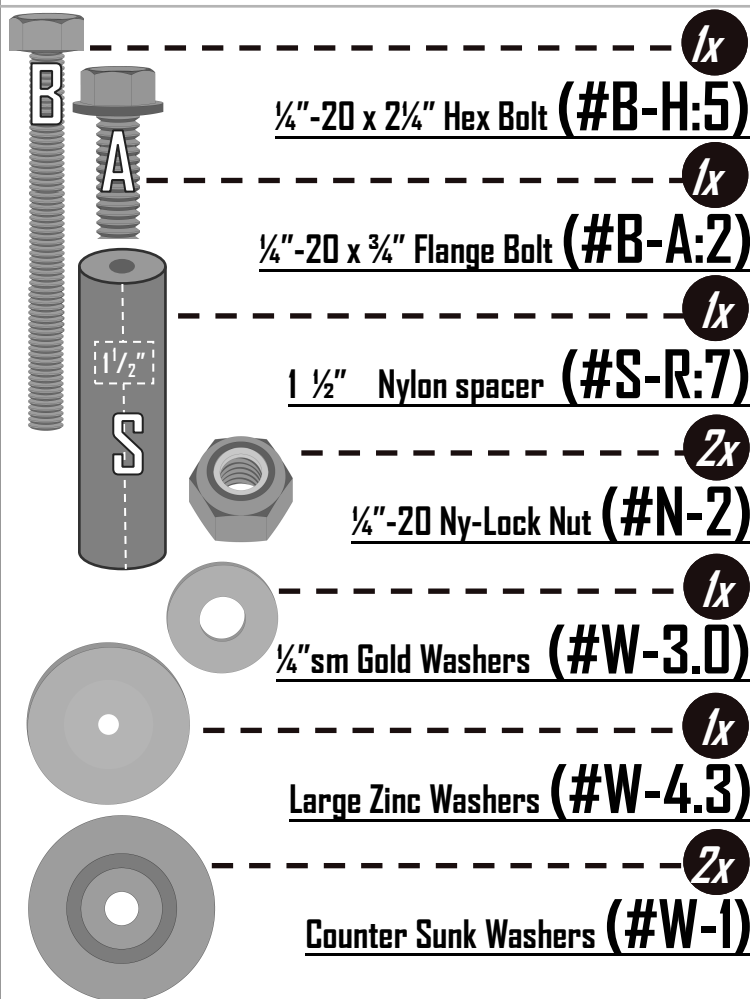


Polaris Ranger 150 (2018+) Skid Plate Hardware kit

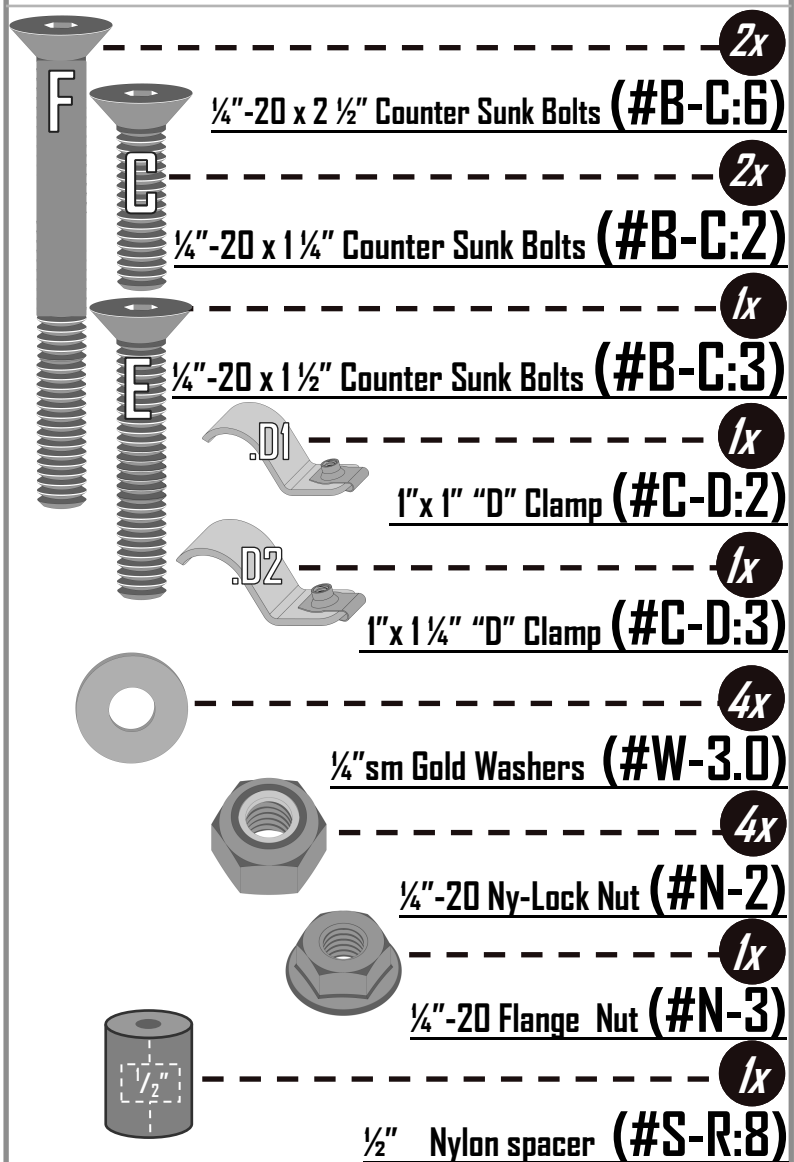
#1 Main Skid small bag:



#2 Front Diff Skid small bag:



#3 Swing arm large bag:



#1 A-Arm large bag:

