

Contact Us: *FACTORY UTV LLC*

9237 Beatty Drive Sacramento, CA 95826

Phone : (916) 383-2730

E-mail : info@factoryutv.net

Go online: www.Factoryutv.net



Polaris RZR RS1 (2018 – 2021+)

Door insert Installation Guide



Polaris RZR RSI (2018 - 2021+) Door insert Installation guide

#1 Step one:

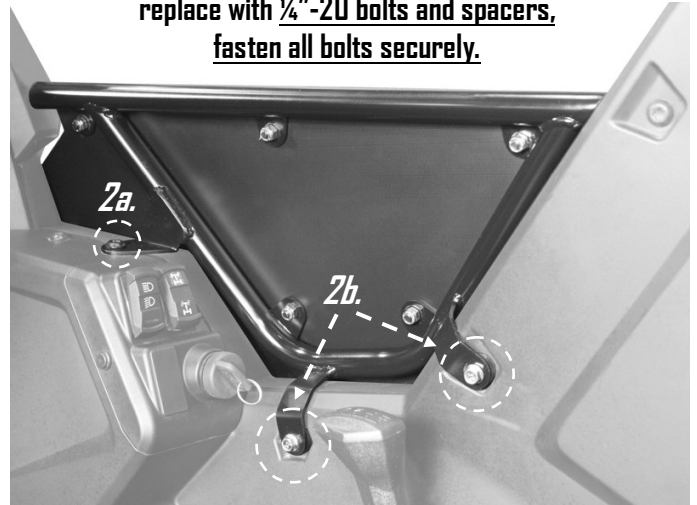
Place upper door insert



#2 Step Two:

(2a.) Remove - and re-install stock T- 40 Torx screw.

(2b.) Remove - T-40 Torx screws, replace with $\frac{1}{4}$ "-20 bolts and spacers, fasten all bolts securely.



#3 Step Three:

Place upper door insert,

(3a.) Remove - and re-install stock T- 40 Torx screws.

(3b.) Remove - T-40 Torx screws, replace with $\frac{1}{4}$ "-20 bolt, fasten all bolts securely.



If you damage, mare, or would like to change the colors of your door inserts, contact us, we also sell replacement door plastics and hardware.

***(5 color options, go online to the RSI door insert page to see examples of color options.)**