

**Contact Us: *FACTORY UTV LLC***

9237 Beatty Drive Sacramento, CA 95826

Phone : (916) 383-2730

E-mail : [info@factoryutv.net](mailto:info@factoryutv.net)

Go online: [www.Factoryutv.net](http://www.Factoryutv.net)



# ***Polaris RZR RS1*** (2018 – 2021+)

## **Front Bumper Installation Guide**



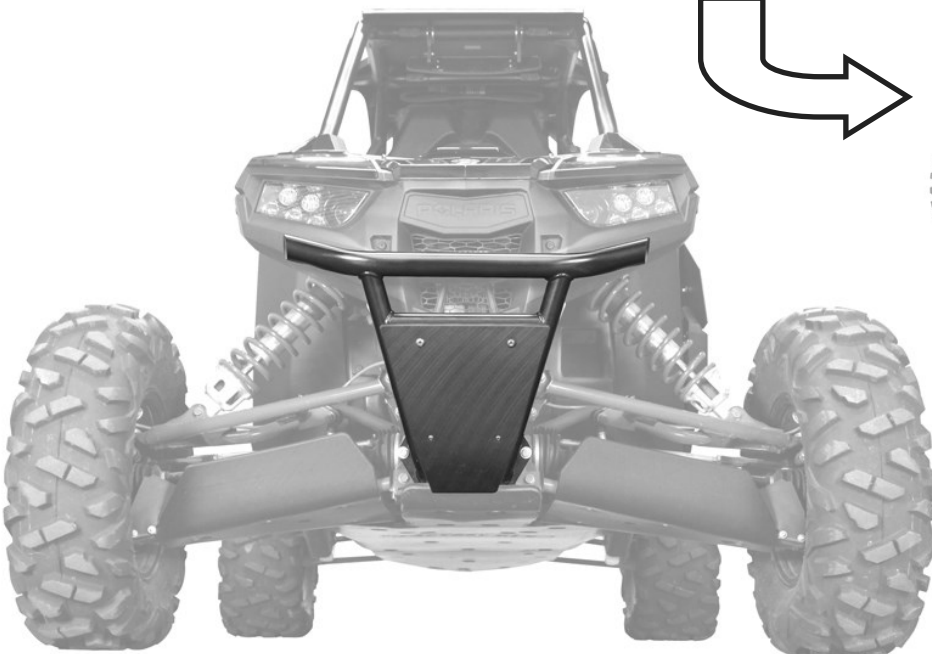
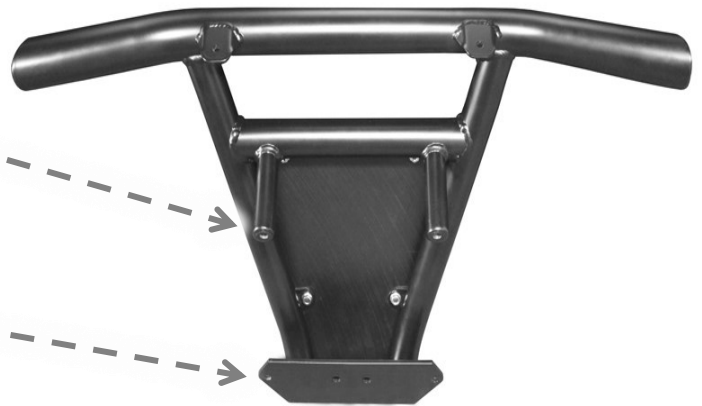
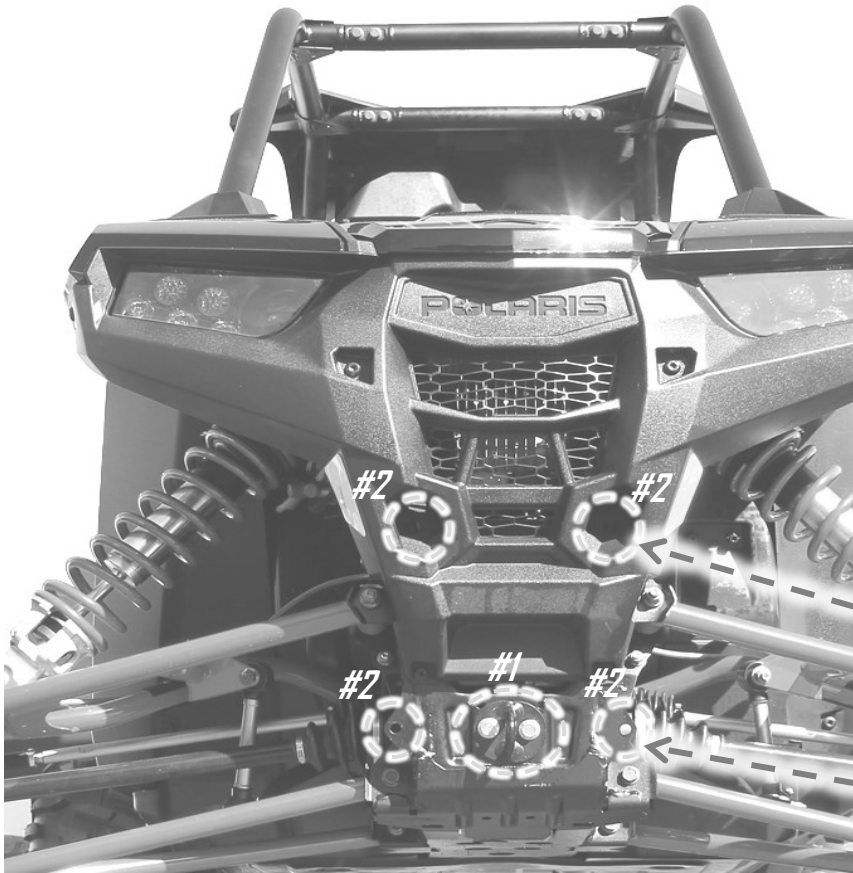
# *Polaris RZR RS1 (2018 - 2021+) Front bumper Installation guide*

## **#1** *Step one:*

Remove front center tow hook.  
Re-use bolts.

## **#2** *Step Two:*

Place Bumper on UTV,  
install bolts from behind.



***Ensure All Bolts are fastened  
securely before use.***

*Replacement Bash Plates are available on call in order*