

# Polaris RZR 9009 Trail-XC

## Dual Clamp Spare Tire Mount Instructions



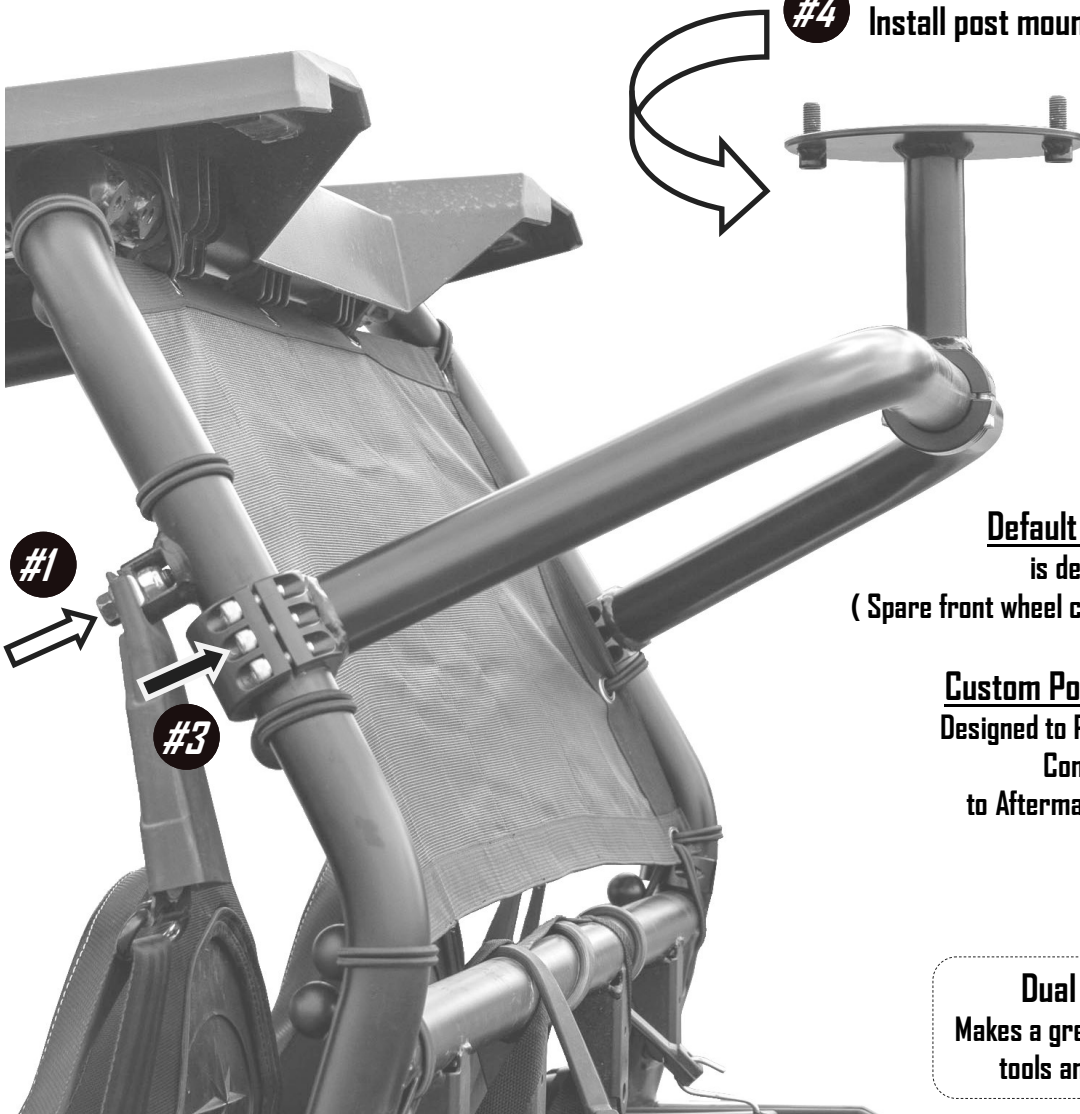
### Dual clamp spare tire mount

*\*Lug Nuts Not Included: Mount uses same thread size as stock.*

**(Socket head Torque spec: 18–20 FT-lb)**

Designed to mount holding Wheel in 3 locations:  
Fastened securely on Center post mount,  
With tire resting Snug on pole,  
on both sides to avoid unwanted vibration.

- #1** Temporarily remove upper seat belt mounts, use caution not to drop nut/washer behind the seat.
- #2** Remove Allen Head bolts in each side of clamp bottom.
- #3** Position dual clamp on rear of roll cage, Evenly fastening both center clamp bolts on each side. Ensure Fitment location, and install remaining bolts.
- #4** Install post mount at desired angle, fasten securely.



### Post Options:

#### Default Post: "Stock Wheel Offset"

is designed for front wheel only.

( Spare front wheel can be used in front or rear position of UTV )

#### Custom Post "Aftermarket Wheel Offset"

Designed to Provided Custom Post Measurement

Contact us if you've upgraded

to Aftermarket wheels and need a new post.

**Dual Clamp Spare Tire Mount**  
Makes a great platform for fire extinguishers,  
tools and other mounted accessories.