

# Polaris RZR Pro XP 4 (2020 - 2020+) Trailing Arm Guard Installation

## Trailing-Arm Guard Installation

Hold Trailing arm guard in place, use of clamps may help in installation. Install with break cable above bolts.

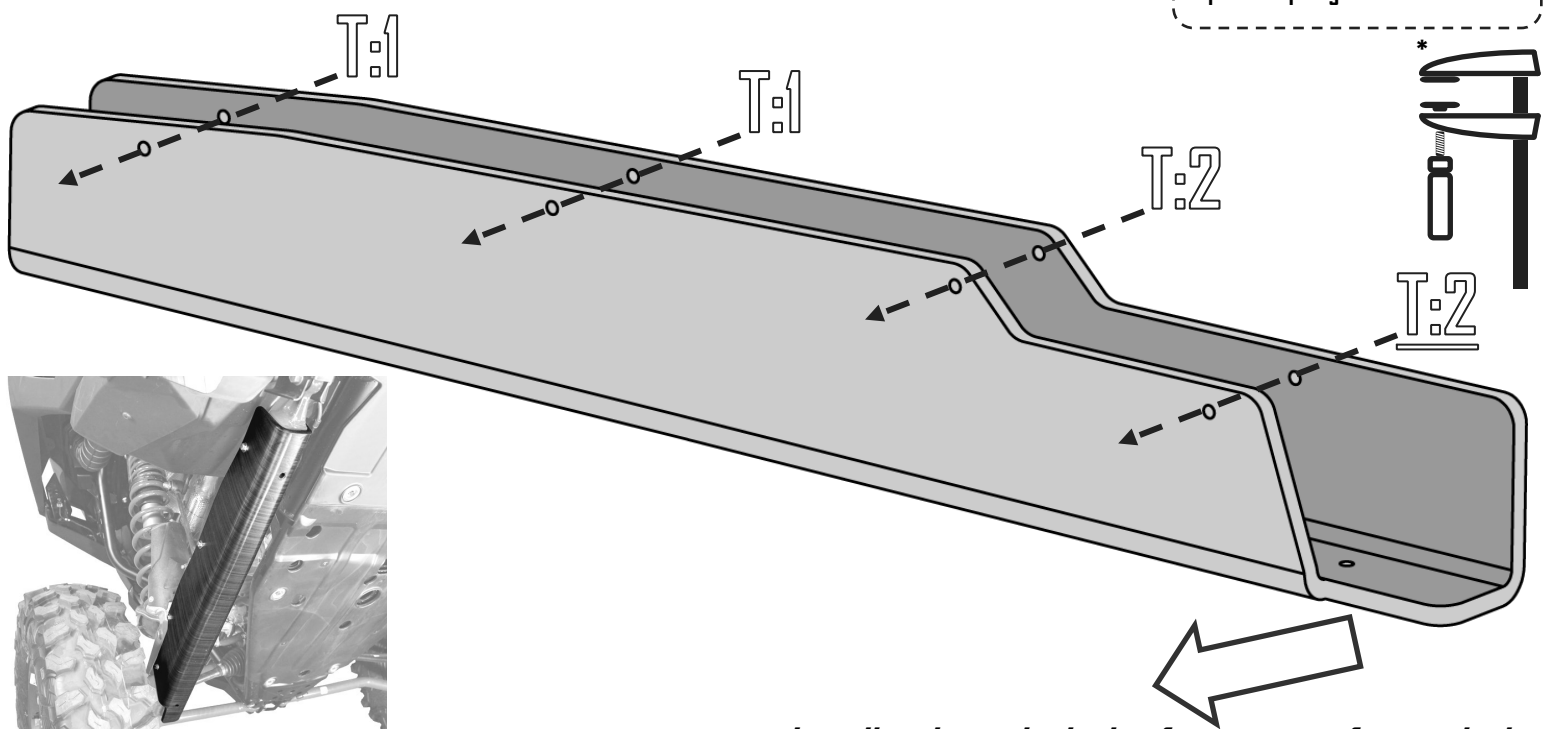
Install: (2x)  $\frac{1}{4}$ "-20 x 3" Hex Flange Bolts in T:1 locations. Install: (2x)  $\frac{1}{4}$ "-20 x 3  $\frac{1}{4}$ " Hex Flange Bolts in T:2 locations, Remove Rear tire, Using stock hole as a guide, mark and drill a  $\frac{9}{32}$ " hole for rear T:2 location On each Trailing arm guard.

Fasten bolts with (8x) Zinc Washers and (4x) Ny-lock nuts in all locations.

Installation may require the use of clamps, floor jack and firm upwards pressure for fitment.


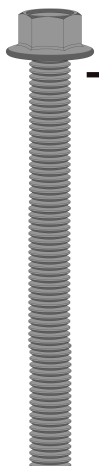


Repeat steps for remaining trailing arm guard,  
Do not install bolts above break cable.

**\* Trailing arm guard Install Tip:**  
Use of clamps may help with fitment.  
Squeeze top of guard to aid with bolts



***Install with notched edge facing away from vehicle***

### Trailing arm guard hardware

-  ----- **4x**  
 **$\frac{1}{4}$ "-20 x 3" Hex Flange Bolt (#B-H:8)**
-  ----- **4x**  
 **$\frac{1}{4}$ "-20 x 3  $\frac{1}{4}$ " Hex Flange Bolt (#B-H:16)**
-  ----- **16x**  
**Zinc Washers (#W-4)**
-  ----- **8x**  
 **$\frac{1}{4}$ "-20 Ny-Lock Nut (#N-2)**

