

Contact Us: *FACTORY UTV LLC*

9237 Beatty Drive Sacramento, CA 95826

Phone : (916) 383-2730

E-mail : info@factoryutv.net

Go online: www.Factoryutv.net



U.H.M.W. Skid Plate / Under Armor Package

Ultra. High. Molecular. Weight. polyethylene all terrain skid plate / under armor kit for UTV's

Installation Guide (Skid Plate and Rockslider Instructions)

Polaris RZR XP 900 (2011 - 2013)

Also fits: RZR 900 (2014)



Polaris RZR XP 900 (2011 - 2013) Instructions

Remove stock skid plate and re-use stock hardware as needed in all (A) locations.

Skid's will form to vehicle during installation.

#1

Spacers :

Install: (2x) Trapezoidal Spacers with (4x) M6-1.0 x 35mm Flange Bolts in Main Skid : (D) locations.
(with out washers)

Install: (2x) UHMW Round Spacers with (2x) M6-1.0 x 35mm Flange Bolts in Main Skid : (D) locations.
(with out washers)

#2

Main Skid Plate :

Install using: (9x) Stock Bolts and Washers in Main Skid: (A) locations,
Once Skid plate is in place, back out each spacer bolt and replace with washer. (Individually)
Fasten skid bolts loosely to aid in fitment, Defer side (B) locations Until Step (#4).

#3

Front Diff. Skid Plate :

(See Drilling Instructions Below) Align edge with Main Skid. Mark, drill and
install: (4x) ¼"-20 x ¾" Self Tapping Bolts in Diff. Skid : (C) locations.



#4

Side Mounts (B):

(See Drilling Instructions Below)

Align, mark, drill, and Install: (8x) ¼"-20 x 1" Self Tapping Bolts in Main Skid : (B *) locations.



RS

*If Rock Sliders :

Use: (8x) ¼"-20 x 1 ¼" Self Tapping Bolts, "RS" bolts In main skid : (B *) locations.
In lieu of side bolts (¼"-20 x 1" Self Tapping Bolts) Place Rockslider in-between skid and chassis Frame.



(When installation is complete , ensure all bolts are fastened securely.)



Use of:
clamps and/or Floor jack
may aid in installation.

*** Drilling Instructions : ***

Use a : **#No7 (13/64th)** drill bit,

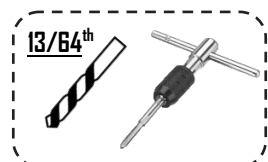
(one size above the commonly available 3/16th bit) Recommended ¼"- 20 Tap *(Optional)

To drill and thread self tapping bolts in to chassis frame.

Finger Thread All Bolts Prior To Fastening Securely With Power Tools.

We strongly recommend the use of a "Thread Locking Compound" when installing any mounting hardware.

(When installation is complete , ensure all bolts are fastened securely.)

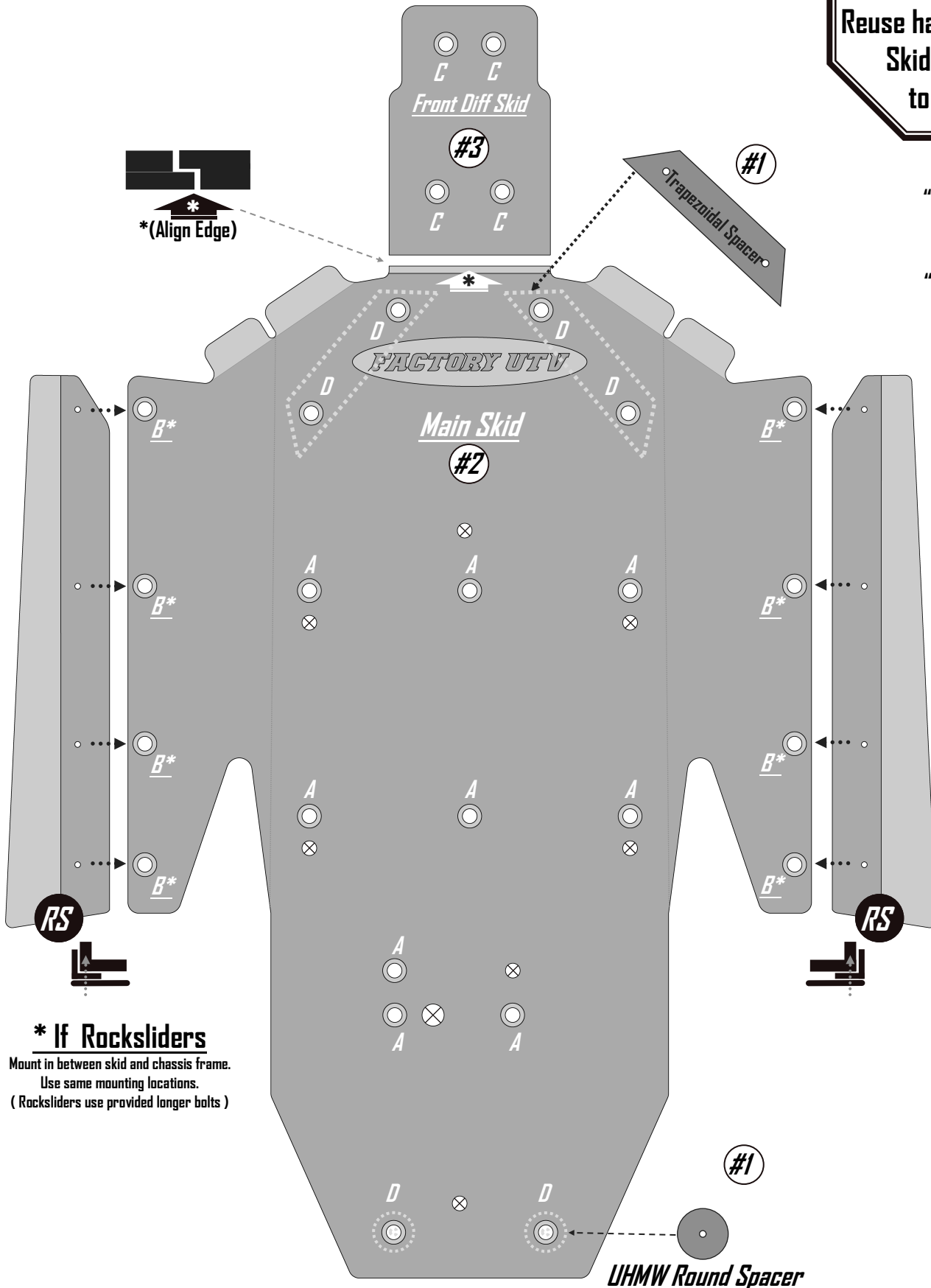


(¼"-20) Tap
Recommended for
drilled locations

Polaris RZR XP 900 (2011 - 2013) Installation guide

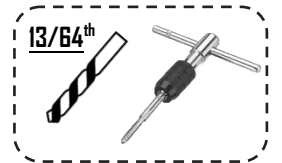
Also fits: RZR 900 (2014)

Read :
 Instructions on pg.#2
 Remove stock skid plate,
 Reuse hardware as needed.
 Skid plate will form
 to fit over time.



" _ " Underscore locations require drilling.

" * " Star locations can use RS bolts



(1/4"-20) Tap
 Recommended for drilled locations



Use of:
 clamps and/or Floor jack
 may aid in installation.

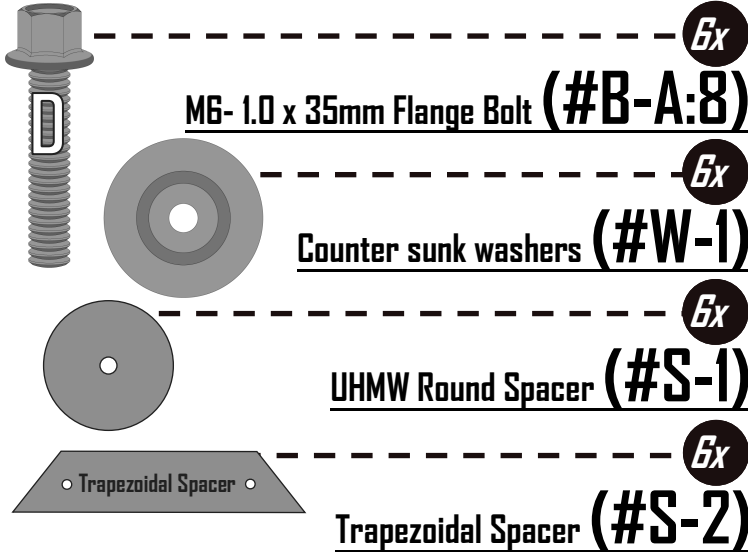
*** If Rocksliders**
 Mount in between skid and chassis frame.
 Use same mounting locations.
 (Rocksliders use provided longer bolts)

⊗ = Drainage Holes
 Do Not Use For Mounting

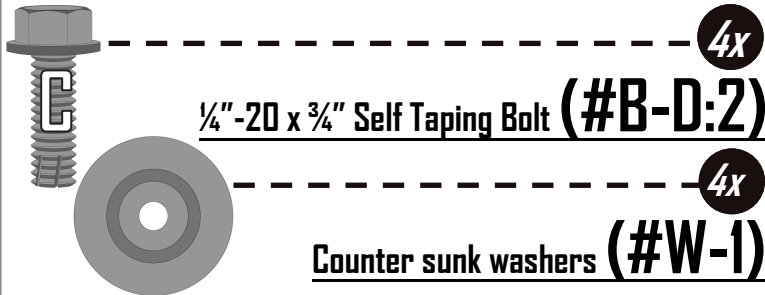
Polaris RZR XP 900 (2011 - 2013) Hardware

Also fits: RZR 900 (2014)

#1 Main Skid : large bag



#2 Front diff : small bag



#3 Side Skid small bag:

