

**Contact Us: *FACTORY UTV LLC***

9237 Beatty Drive Sacramento, CA 95826

Phone : (916) 383-2730

E-mail : [info@factoryutv.net](mailto:info@factoryutv.net)

Go online: [www.Factoryutv.net](http://www.Factoryutv.net)



## **U.H.M.W. Skid Plate / Under Armor Package**

*Ultra. High. Molecular. Weight. polyethylene all terrain skid plate / under armor kit for UTV's*

### **Installation Guide** (A-Arm and Trailing Arm Guard Instructions)

## ***Polaris RZR XP 900*** (2011 - 2013)

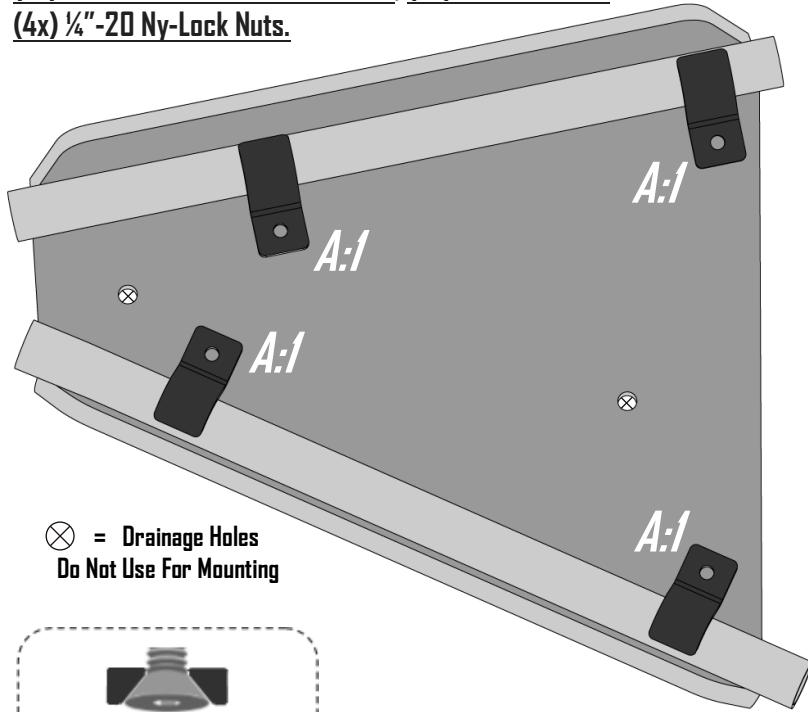
***Also fits: RZR 900 (2014)***



# Polaris RZR XP 900 (2011 - 2013) A-Arm / Trailing Arm Guard installation

Also fits: RZR 900 (2014)

**Install A-arm guards:** hold in place, Use (4x) "D" clamps (4x) 1/4"-20 x 1" Counter Sunk Bolts, (4x) Gold Washers w/ (4x) 1/4"-20 Ny-Lock Nuts.

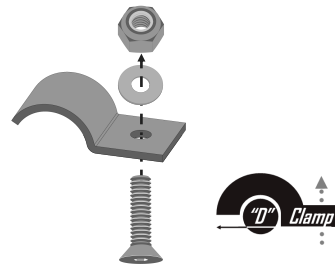


⊗ = Drainage Holes  
Do Not Use For Mounting



Fasten bolts until flush  
DO NOT over tighten

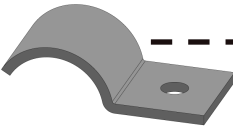


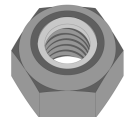
\*Ensure Clearance For Turn Radius & Vertical Travel  
Before Fastening ALL Bolts Securely

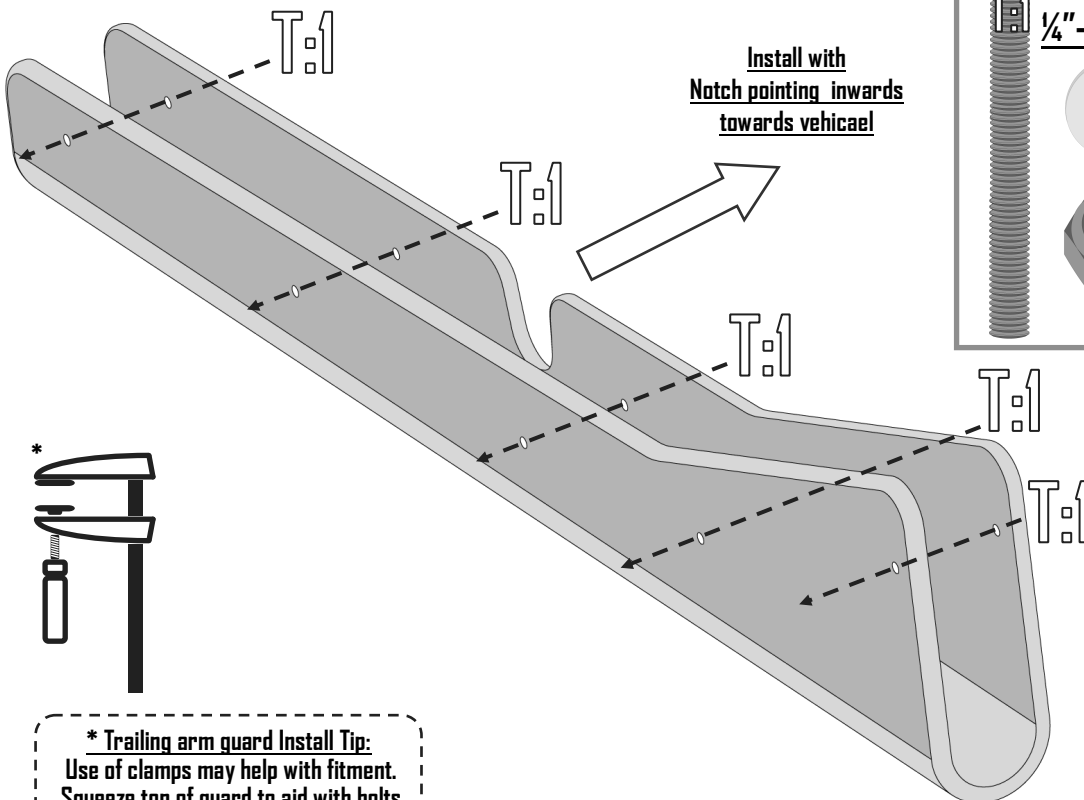


Fasten Loosely to allow for fitment adjustments, secure all bolts when complete.

**Do Not Over Tighten Bolts Through Guards**

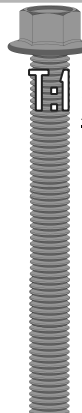

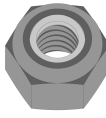
## A-Arm Guard Hard-

-  1"x1" "D" Clamps (#C-D:2) **8x**
-  1/4"-20 x 1" Counter Sunk Bolt (#B-C:1) **8x**
-  1/4" Gold Washers (#W-3) **8x**
-  1/4"-20 Ny-Lock Nut (#N-2) **8x**



Install with  
Notch pointing inwards  
towards vehicle

## Trailing arm guard hardware

-  1/4"-20 x 3" Hex Flange Bolt (#B-H:8) **10x**
-  Zinc Washers (#W-4) **20x**
-  1/4"-20 Ny-Lock Nut (#N-2) **10x**

**Install Trailing arm guards** with notch pointing inward, Using: (5x) 1/4"-20 x 3" Hex Flange Bolts, With (10x) Zinc Washers (on each side), And (5x) 1/4"-20 Ny-Lock Nuts.

May need to use clamps and or car jack to aid with install

\* Trailing arm guard Install Tip:  
Use of clamps may help with fitment.  
Squeeze top of guard to aid with bolts