

Contact Us: FACTORY UTV LLC

9237 Beatty Drive Sacramento, CA 95826

Phone : (916) 383-2730

E-mail : info@factoryutv.net

Go online: www.Factoryutv.net



Polaris

RZR 4 900 (2014 - 2021+)

Fits: RZR 4 900 EPS - 4 900 S - 4 1000 S

Door insert Installation Guide



Polaris RZR 4 900 (2018 - 2021+) Door insert Installation guide

Fits: RZR 4 900 EPS - 4 900 S - 4 1000 S

#1 Step one:

Hold or clamp door inserts in place.

#3 Step Three:

Mount rear upper panel to frame

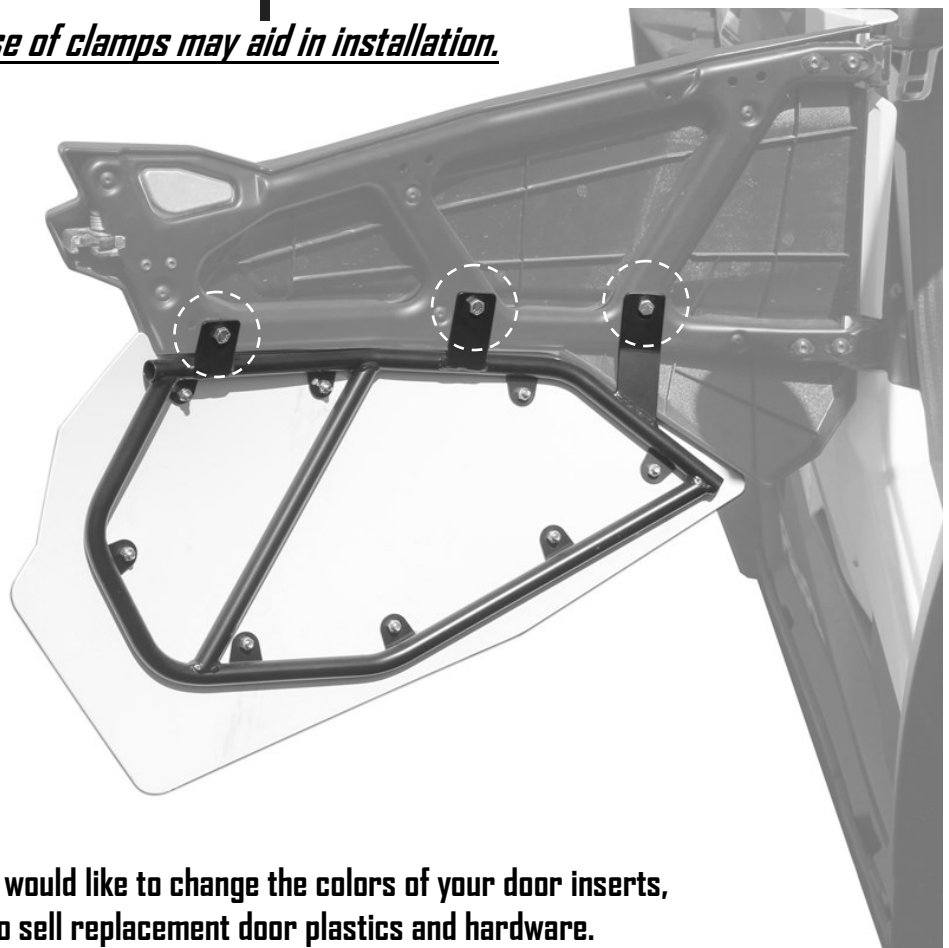


Use of clamps may aid in installation.

#2 Step Two:

Install Provided bolts in to upper door frames.

fasten all bolts securely.



If you damage, mare, or would like to change the colors of your door inserts, contact us, we also sell replacement door plastics and hardware.