

Contact Us: *FACTORY UTV LLC*

9237 Beatty Drive Sacramento, CA 95826

Phone : (916) 383-2730

E-mail : info@factoryutv.net

Go online: www.Factoryutv.net



FACTORY UTV

U.H.M.W. Skid Plate / Under Armor Package

Ultra. High. Molecular. Weight. polyethylene all terrain skid plate / under armor kit for UTV's

Installation Guide (Ultimate Package)

Polaris

General 1000 EPS (2016 - 2020+)



Polaris General 1000 EPS (2016-2020+) Instructions

#1

Remove stock skid plate. Re-use stock hardware as needed in all (A) locations.

Remove (4x) T-40 Torx bolts from each plastic side panel to help remove skid. (see step 1 diagram, on pg 3)

#2

Install Extension Brackets

Use: (2x) stock bolts without washers to hold extension bracket in (A) locations.

Mount with J-clips Tip's facing inward toward vehicle. Remove and Re-install bolts with washers during skid plate installation.

#3

Rear Skid Plate :

Install: (2x) M6-1.0 x 30mm Flange Bolts in *Rear skid: (E)* locations.

Install: (3x) Stock bolts in *Rear skid: (A)* locations. *(note step 2, and adjust to fit before fastening)

Mark, drill and Install: (2x) ¼"-20 x 1" Self Tapping Bolts in *Rear skid: (C)* locations. *(See Drilling Instructions Below)*



#4

Main Skid Plate :

Skid plate will fit inside/under side panel plastic, slightly pull panel away from vehicle to fit in place. (see step 1 diagram on pg 3)

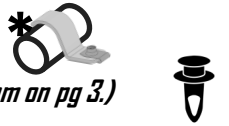
Install: (5x) Stock Bolts in *Main Skid: (A)* locations. Align edge with rear skid, and extension brackets.

Install: (2x) M6-1.0 x 25mm Flange Bolts in *Center Main Skid: (D)* locations.

Install: (4x) M6-1.0 x 25mm Flange Bolts with "D" Clamps over tubing in *Main Skid: (D*)* locations.

XP 1000 models : Remove plastic push rivets in fenders, to install (D*) clamps behind fender well (See XP 1000 diagram on pg 3.)

Defer side (B) locations Until Step (#6)

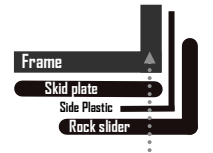


#5

Front Diff. Skid Plate :

(See Drilling Instructions Below) Align edge with Main skid.

Mark, drill and install: (4x) ¼"-20 x ¾" Self Tapping Bolts in *Diff. Skid : (B)* locations.



#6

Side Mounts (B):

(See Drilling Instructions Below) Align, mark, drill, and Install: (6x) ¼"-20 x ¾" Self Tapping Bolts in *Main Skid : (B)* locations.

Skid plate will fit inside/under side panel plastic, slightly pull panel away from vehicle to fit in place. (see step 1 diagram on pg 3)

Ensure to fasten side panel bolts when complete (see figure on bottom of page 3.)

RS

If installing with Rock Sliders :

Use: "RS" (6x) ¼"-20 x 1 ¼" Self Tapping Bolts in *main skid: (B)* locations, In lieu of side (B) bolts.

Follow step (#4), Align, mark, drill (B) locations, Ensure to fasten side panel bolts (see figure on bottom of page 3.)

then install Rock sliders over lip of stock side panel plastic, Drill or cut pass-through holes in side plastic as necessary, fasten bolts securely, Rock sliders will mount on the exterior of skid plate and side plastic.

A-Arm Guards : Standard or High Clearance

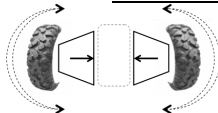
High Clearance A-Arms: Install: ¼"-20 x 1" Counter Sunk Bolts and "D" clamps over A-Arm tubing, with ¼" Gold Washers, and ¼"-20 Ny-Lock Nuts in each bolt locations.



Standard A-Arms: Install : ¼"-20 x 1" Counter Sunk Bolts with ¼" Gold Washer, and ¼"-20 Ny-Lock Nuts in each: (A:1) location.

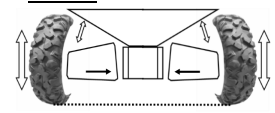
Install : ¼"-20 x 1 ½" Counter Sunk Bolts with "D" clamps over A-Arm tubing in each front: (A:2*) location.

Install : ¼"-20 x 2 ½" Counter Sunk Bolts with "Box" clamps over A-Arm tubing in each Rear: (A:3*) location.



* **Ensure** Clearance For Turn Radius & Vertical Travel

Before Fastening ALL Bolts Securely



* Drilling Instructions : *

Use a : #Nº7 (13/64th) drill bit,

(one size above the commonly available 3/16th bit) Recommended ¼"-20 Tap *(Optional)

To drill and thread self tapping bolts in to chassis frame.

Finger Thread All Bolts Prior To Fastening Securely With Power Tools.

We strongly recommend the use of a "Thread Locking Compound" when installing any mounting hardware.

(When installation is complete , ensure all bolts are fastened securely.)

Polaris General 1000 EPS (2016 – 2021+)

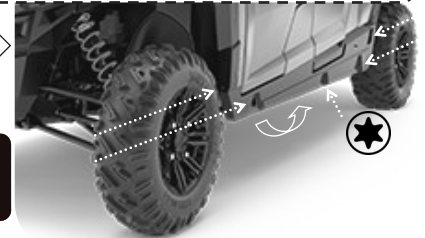
See drilling instructions prior to drilling.
Remove stock skid plate, Reuse hardware as needed.
Before Skid plate installation, follow steps 1 and 2

XP 1000 models: (High Clearance A-Arms)

Install in similar fashion. Arched A-Arm guards uses same Hardware for all locations

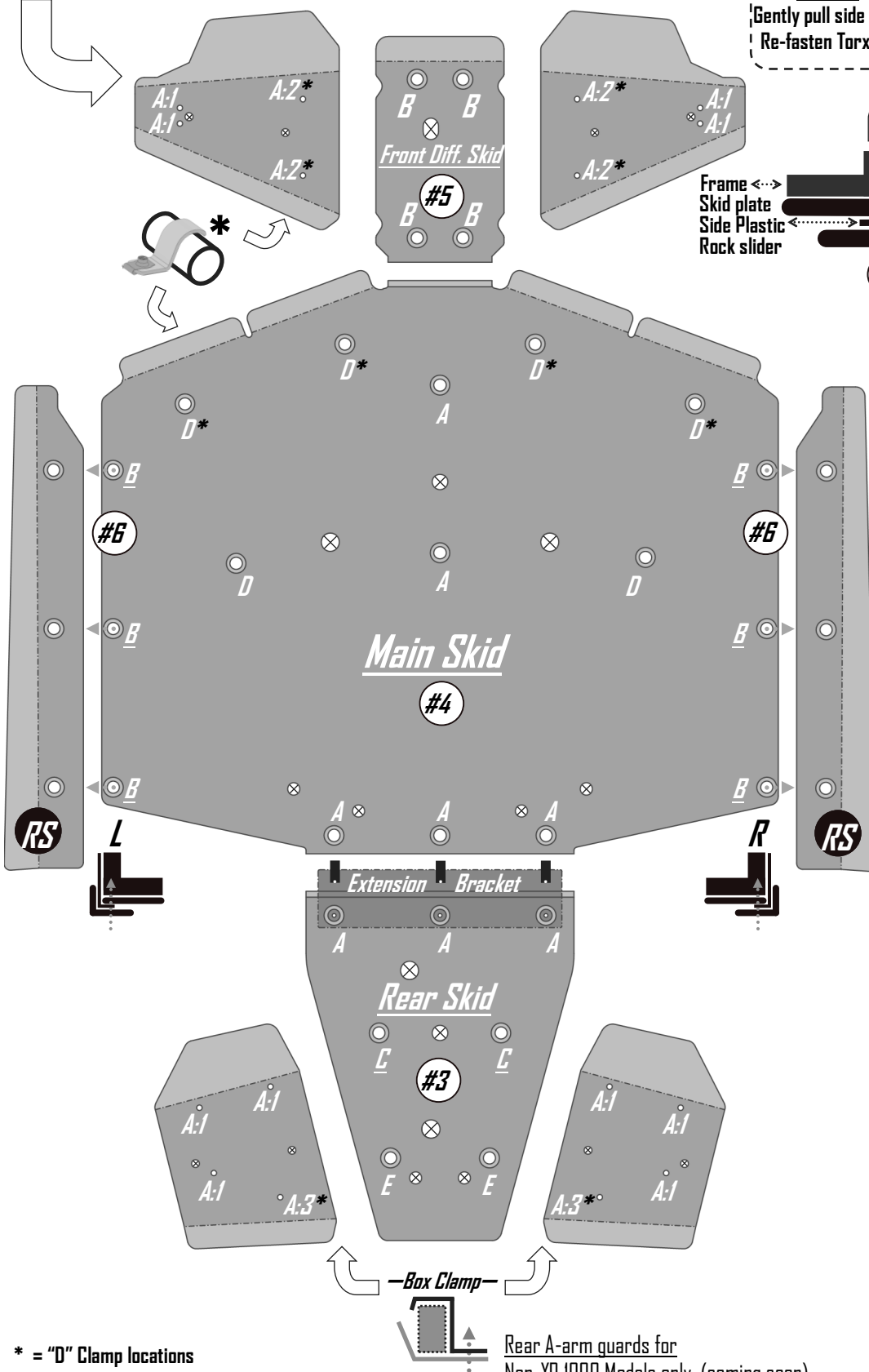
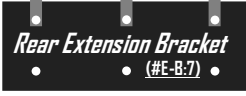
1 Remove: (5x) T-40 Torx bolts on each lower side panel,
Gently pull side plastics out, to fit skid plate inside lower plastic lip.
Re-fasten Torx bolts securely when skid plate install is complete.

Frame ↔
Skid plate
Side Plastic
Rock slider

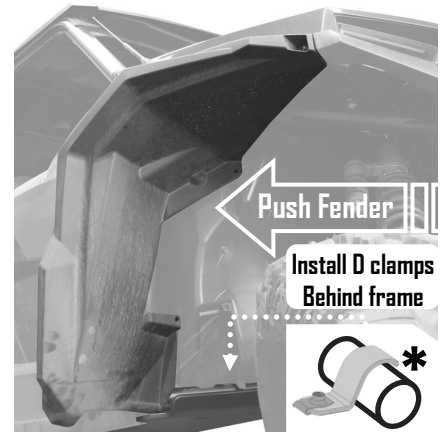
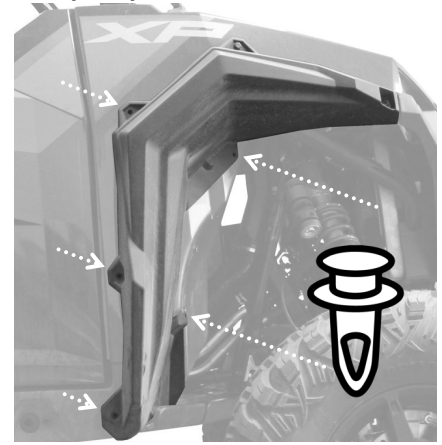


2 **Install Extension Brackets**
Use: (2x) stock bolts without washers to hold extension bracket in (A) locations.
Mount with J-clips Tip's facing inward toward vehicle.
Remove and Re-install bolts with washers during skid plate installation.

J-clips Tip's face inward toward vehicle.




XP 1000 Models:
Remove 5x plastic push rivets from each fender and Gently push aside to Install "D" clamps over tubing behind fender well.
Replace push rivets when finished.





- * = "D" Clamp locations
- = Drilling locations
- ⊗ = Drainage Holes
- Do Not Use For Mounting

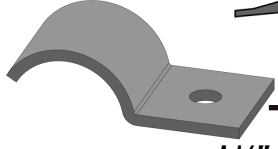
Rear A-arm guards for Non-XP 1000 Models only (coming soon)

#2 Main Skid Large bag:

 **6x**
 M6- 1.0 x 25mm Flange Bolt (#B-A:6)


 **6x**
 Counter Sunk Washers (#W-1)


 **7x**
 J-Clip (#N-13)

 **4x**
 1 1/2" x 1 3/4" "D" Clamps (#C-D:6)


 **1x**
 General Extension Bracket (#E-B:7)

#4 Side bolts large bag:

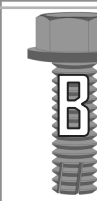
 **6x**
 1/4"-20 x 3/4" Self Taping Bolt (#B-D:2)


 **6x**
 Counter Sunk Washers (#W-1)

RS *If: Rock Slider 's replace* **6x**


 **6x**
 1/4"-20 x 1 1/4" Self Taping Bolt (#B-D:4)

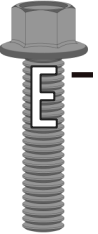
#3 Front Diff Skid Small bag:


 **4x**
 1/4"-20 x 3/4" Self Taping Bolt (#B-D:2)

 **4x**
 Counter Sunk Washers (#W-1)

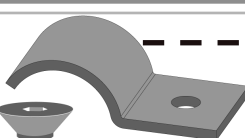
#1 Rear Skid Small bag:


 **2x**
 1/4"-20 x 1" Self Taping Bolt (#B-D:3)


 **2x**
 M6- 1.0 x 30mm Flange Bolt (#B-A:7)


 **4x**
 Counter Sunk Washers (#W-1)

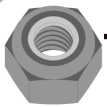
#6 Standard Front A-Arm large bag:

 **4x**
 1" x 1" "D" Clamps (#C-D:2)

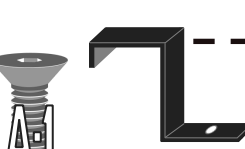
 **4x**
 1/4"-20 x 1" Counter Sunk Bolts (#B-C:1)


 **4x**
 1/4"-20 x 1 1/2" Counter Sunk Bolts (#B-C:3)


 **8x**
 1/4" Gold Washers (#W-3.0)

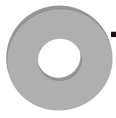
 **8x**
 1/4"-20 Ny-Lock Nut (#N-2)

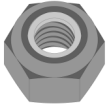
#7 Standard Rear A-Arm large bag:

 **2x**
 1 1/2" x 1 1/4" "Box" Clamps (#C-B:2)

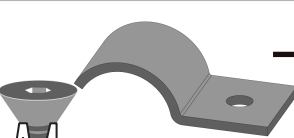
 **2x**
 1/4"-20 x 1" Counter Sunk Bolts (#B-C:1)


 **6x**
 1/4"-20 x 2 1/2" Counter Sunk Bolts (#B-C:6)


 **8x**
 1/4" Gold Washers (#W-3.0)


 **8x**
 1/4"-20 Ny-Lock Nut (#N-2)

#6 High Clearance Front A-Arm large bag:

 **10x**
 1" x 1 1/4" "D" Clamps (#C-D:3)

 **10x**
 1/4"-20 x 1 1/4" Counter Sunk Bolts (#B-C:2)

 **10x**
 1/4" Gold Washers (#W-3.0)

 **10x**
 1/4"-20 Ny-Lock Nut (#N-2)