

Contact Us: FACTORY UTV LLC

9237 Beatty Drive Sacramento, CA 95826

Phone : (916) 383-2730

E-mail : info@factoryutv.net

Go online: www.Factoryutv.net



U.H.M.W. Skid Plate / Under Armor Package

Ultra. High. Molecular. Weight. polyethylene all terrain skid plate / under armor kit for UTV's

Installation Guide (Skid Plate Package)

Kawasaki

***Teryx KRX 1000* (2020+)**



Kawasaki Teryx KRX 1000 (2020+) Instructions

#1

Remove Stock Plastic Rear Skid plates. Use 10mm socket and large Philips bit
Remove 2x forward bolts, use 10mm socket. (See Diagram pg 3)

#2

Rear Skid Plate :

Install: (2x) M6-1.0 x 20mm Flange Bolts in *Rear skid: (B) locations.*

With Rear skid: (B) locations In place, bend Remaining skid plate up and

Install Remaining: (3x) M6-1.0 x 20mm Flange Bolts in *Rear skid: (B) locations.*

Install: (6x) ¼"-20 x ¾" Self Tapping Bolts in remaining *Rear skid: (A) locations.* Use of (¼"-20 tap) recommended.

Leave bolts loose for adjustments



(¼"-20) Tap

#3

Main Skid Plate :

align edge with rear skid plate

Drill (2x) 13/64th holes and use a (¼"-20) Tap, as Required for (2x) *Main Skid: (A) locations.*

(¼"-20) Tap Required for (A) locations, but recommend use of tap for all (A) locations for ease of install.

Install main skid plate with: (4x) ¼"-20 x ¾" Self Tapping Bolts in center (4x) *Main Skid: (A) and (A) locations.*

Overlap edge and align with rear skid plate. Install: (3x) M6-1.0 x 25mm Flange Bolts in *Main Skid: (D) locations.*

Leave bolts loose for adjustments, Disregard (A₁), (E), and (F) locations until further steps.



*(Align Edge)

#4

Front Diff. Skid Plate :

* If Installing with a Front Bumper, Trim Front Diff along Bend line.

Align edge with Main Skid.

Install: (2x) M6-1.0 x 20mm Flange Bolts in *Front Diff. Skid: (B) locations.*

Install: (2x) ¼"-20 x ¾" Self Tapping Bolts in *Front Diff. Skid: (A) locations.* Use of (¼"-20 tap) recommended.

Install: (2x) ¼"-20 x 1" Counter Sunk Bolts in *Front Diff. Skid: (C) locations.* Fasten until Flush with UHMW.

If installing with out bumper, install: (2x) M6-1.0 x 20mm Flange Bolts in *Front Diff. Skid: (B) locations.*

Leave bolts loose for adjustments.



Fasten bolts until flush
DO NOT over tighten

#5

Rocksliders / Side skid bag :

Install rocksliders in-between skid plate and chassis frame.

Install: (2x) M6-1.0 x 30mm Flange Bolts in *Main Skid: (E) locations first.*

Install: (4x) M6-1.0 x 20mm Flange Bolts in *Main Skid: (F) locations.*

Fasten Remaining: (6x) M6-1.0 x 20mm Flange Bolts in *Rockslider: (F) locations.*

#6

Main Skid Plate: (A₁)

Once all Skid Plates are adjusted, centered and aligned, Fasten All Bolts Securely.

Press Main Skid plate (A₁) locations firmly up against frame.

Mark, Drill ,Tap and Install: (5x) ¼"-20 x ¾" Self Tapping Bolts in *Remaining Forward Main Skid: (A₁) locations.*

Use Caution while Drilling, as not to drill through floor boards.

* **Ensure** All Bolts Are Fastened Securely Before Use.

* Drilling Instructions : *

Use a : #No7 (13/64th) drill bit,

(one size above the commonly available 3/16th bit) Recommended ¼"- 20 Tap *(Optional)

To drill and thread self tapping bolts in to chassis frame.

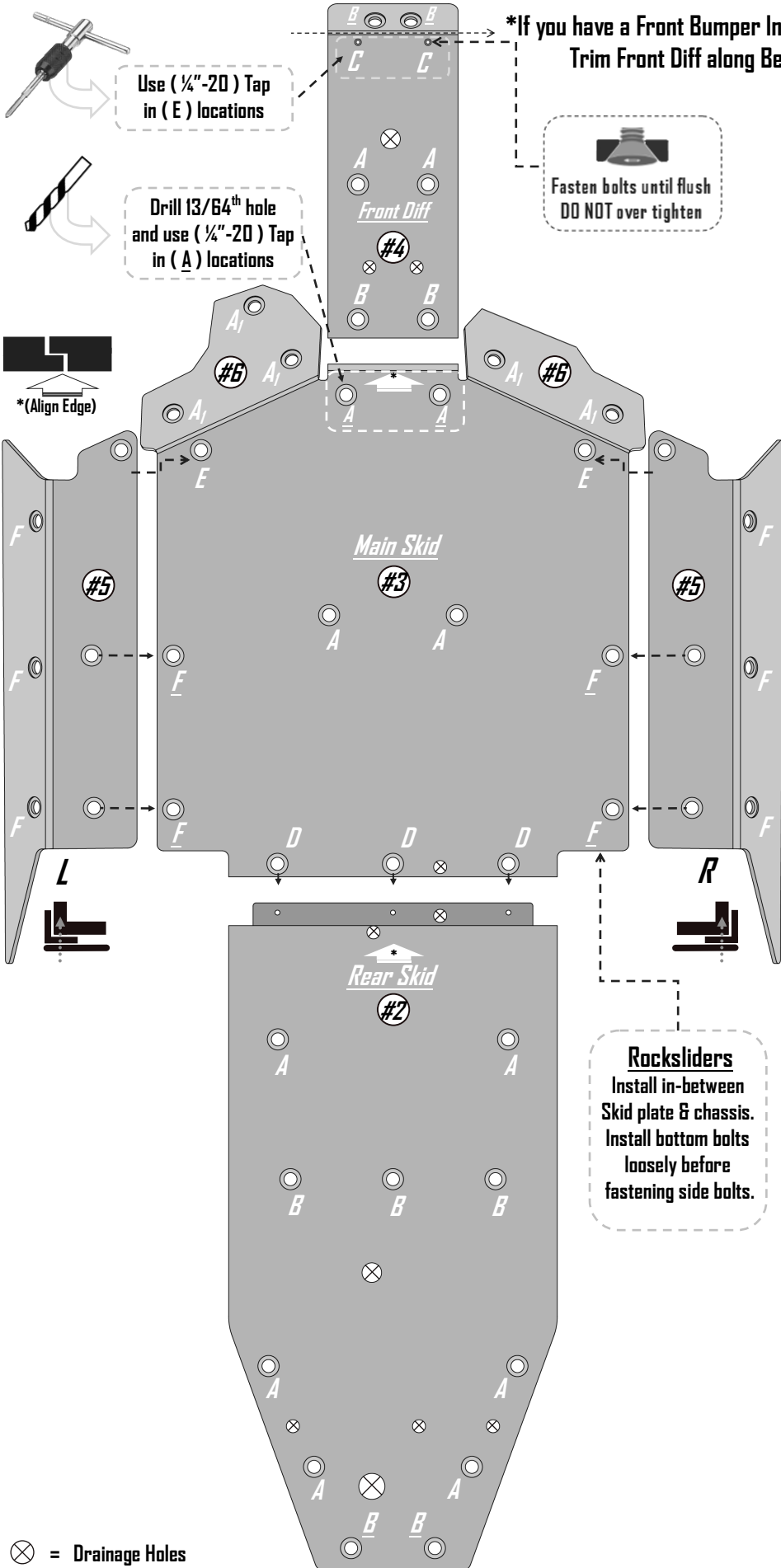
Finger Thread All Bolts Prior To Fastening Securely With Power Tools.

We strongly recommend the use of a "Thread Locking Compound" when installing any mounting hardware.

(When installation is complete , ensure all bolts are fastened securely.)

Kawasaki Teryx KRX 1000 (2020+)

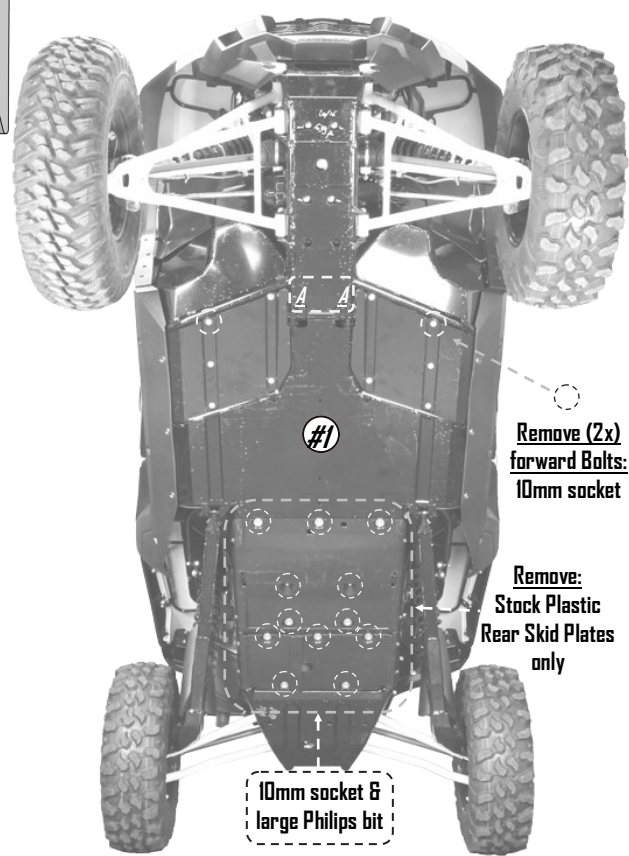
Read :
 Instructions on pg.#2.
 Remove stock plastic skid plates,
 Use 10mm socket and
 large Philips Bits For Removal.
 See drilling instructions
 prior to drilling.



Installation Requires:
 13/64th Drill Bit and (1/4"-20) Tap

Installation may require the use of Clamps or a Car jack to aid with install.

Rocksliders
 Install in-between Skid plate & chassis.
 Install bottom bolts loosely before fastening side bolts.

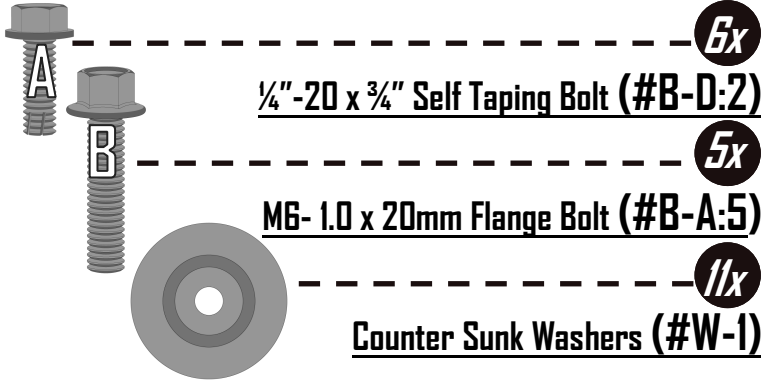


⊗ = Drainage Holes
 Do Not Use For Mounting

Kawasaki Teryx KRX 1000 (2020+) Hardware

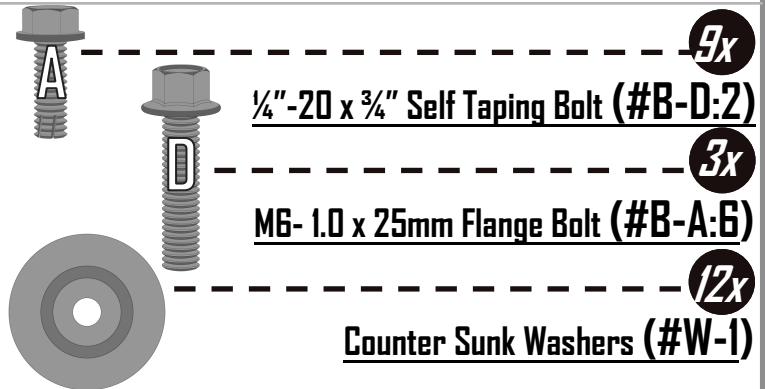
#2

Rear Skid small bag:



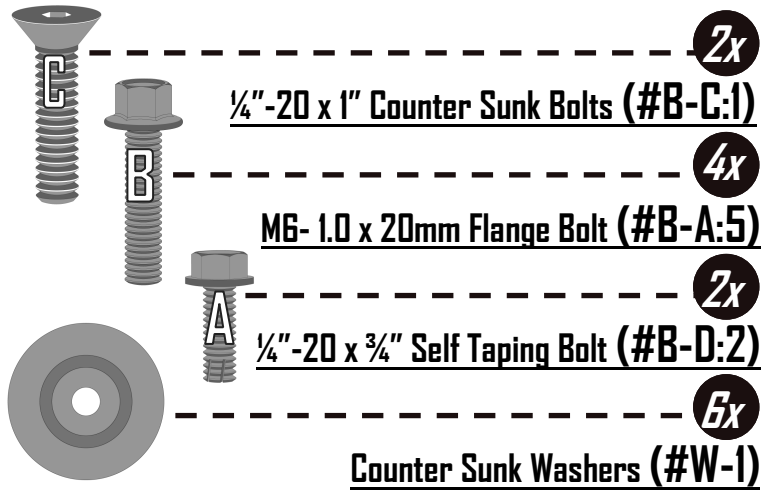
#3

Main Skid Large bag:



#4

Front Diff Skid small bag:



#5

Sides Skid Large bag:

