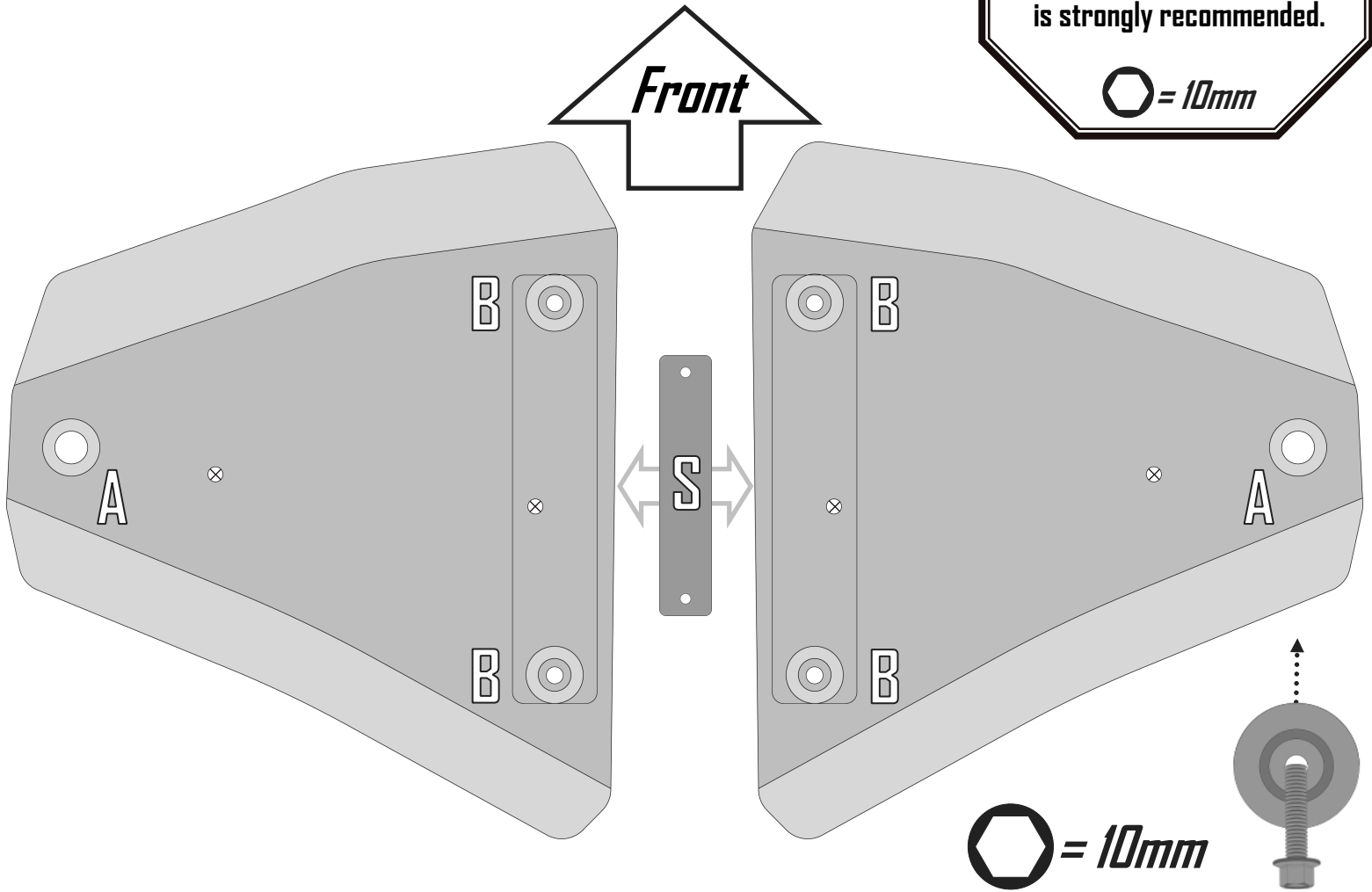


Yamaha Wolverine RMAX 2 (2020 - 2021+)

UHMW Front A-arm Guard Installation Guide.

Installation Requires:
 10mm socket.
 Use of Thread locking compound is strongly recommended.

 = 10mm



Front A-arm Guard Installation :

First:





Hold A-arm guard in place,
 Install : (2x) M6- 1.0 x 20mm Flange Bolts
 in (A) locations.





Second:

Slide (S) Spacers in-between A-arm and A-arm Guards,
 Install : (4x) M6- 1.0 x 40mm Flange Bolts in (B) locations
 to fasten A-arm guards and spacers.

Fasten securely before use.

#1 Front A-arm Guard Hardware

| | |
|--|----------------------------|
|  | 2x |
|  | 4x |
|  | 5x |
|  | 2x |
| | 1/2" UHMW Spacer (#S-C:16) |

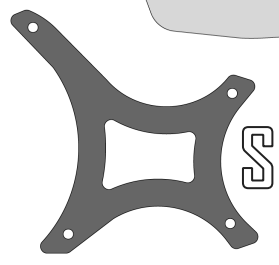
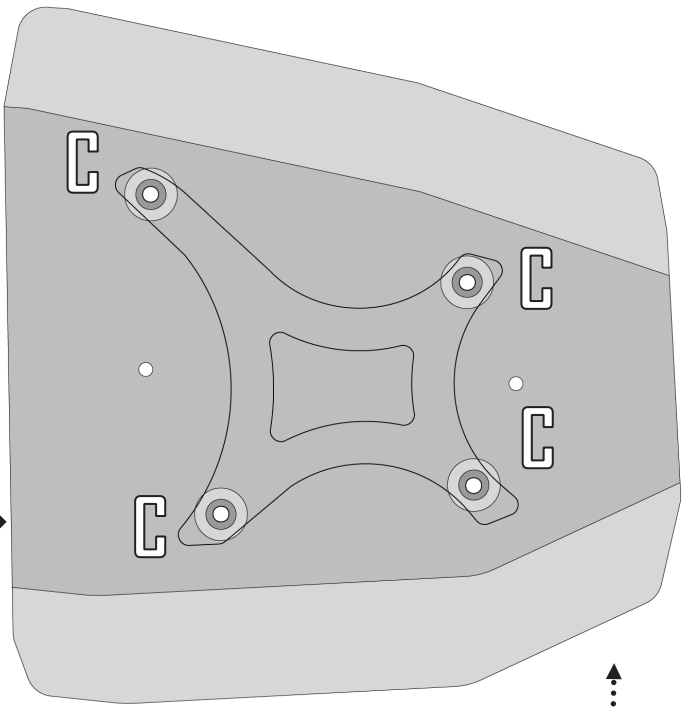
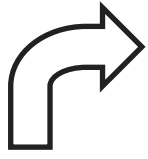
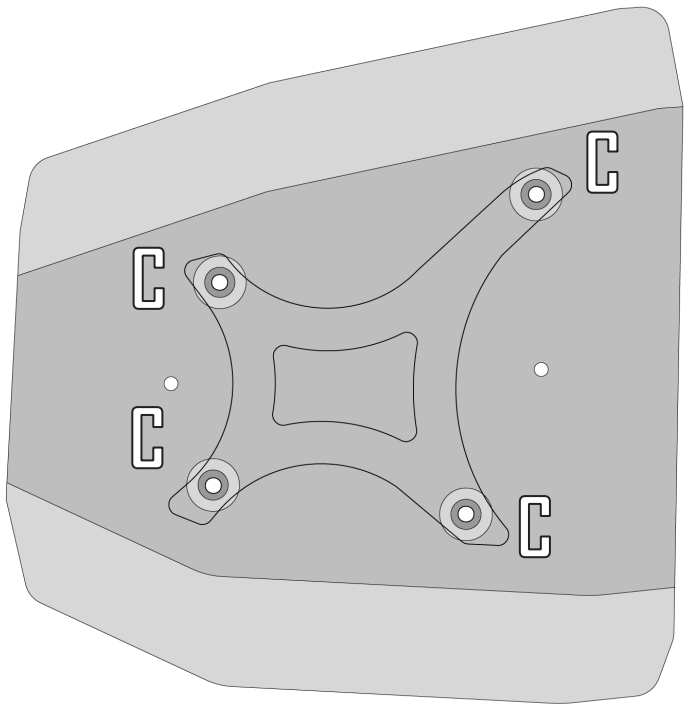
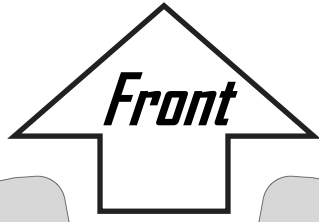
 2x
 M6- 1.0 x 20mm Flange Bolt (#B-A:5)
 4x
 M6- 1.0 x 40mm Flange Bolt (#B-A:9)
 5x
 Counter Sunk Washers (#W-1)
 2x
 1/2" UHMW Spacer (#S-C:16)

⊗ = Drainage Holes
 Do Not Use For Mounting

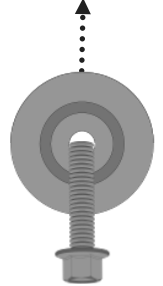
Yamaha Wolverine RMAX 2 (2020 - 2021+)

UHMW Rear A-arm Guard Installation Guide.

Installation Requires:
10mm socket.
Use of Thread locking compound is strongly recommended.



 = 10mm



Rear A-arm Guard Installation :

First:

Align Spacer and hold Rear A-arm guard in place,

Second:

Install : (4x) **M6- 1.0 x 25mm Flange Bolts** in (C) locations.
Fasten Loosely for adjustments, and tighten when complete.

Fasten all bolts securely before use, do not over tighten.
Use of thread locker recommended.

#2 Rear A-arm Guard Hardware



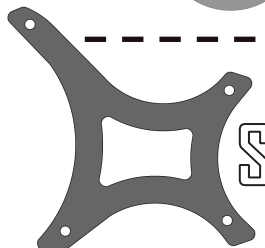
8x

M6- 1.0 x 25mm Flange Bolt (#B-A:6)



8x

Counter Sunk Washers (#W-1)



2x

1/2" UHMW Spacer (#S-C:16)

⊗ = Drainage Holes
Do Not Use For Mounting